

PLEASE CHECK WWW.MOLEX.COM FOR LATEST PART INFORMATION

Part Number: [0357480410](#)
Status: **Active**
Overview: [versablade](#)
Description: Crimp Terminal 35748, 24-26 AWG

Documents:

[Drawing \(PDF\)](#) [Product Specification PS-35180-003 \(PDF\)](#)
[Product Specification PS-35150-003 \(PDF\)](#) [RoHS Certificate of Compliance \(PDF\)](#)

General

Product Family	Crimp Terminals
Series	35748
Crimp Quality Equipment	Yes
Overview	versablade
Product Name	VersaBlade™

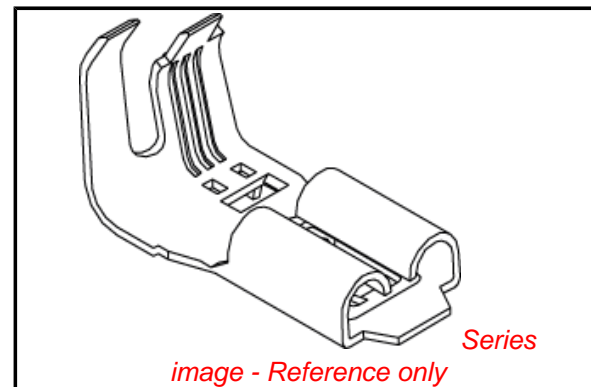
Physical

Gender	Female
Material - Metal	Phosphor Bronze
Material - Plating Mating	Tin
Material - Plating Termination	Tin
Packaging Type	Reel
Plating min: Mating (µin)	32.00
Plating min: Mating (µm)	0.800
Plating min: Termination (µin)	32.00
Plating min: Termination (µm)	0.80
Termination Interface: Style	Crimp or Compression
Wire Insulation Diameter	2.70mm (.106") max.
Wire Size AWG	24, 26
Wire Size mm²	N/A

Material Info

Reference - Drawing Numbers

Product Specification	PS-35150-003, PS-35180-003, RPS-35180-001
Sales Drawing	SD-35748-001



EU RoHS

**ELV and RoHS
Compliant**
**REACH SVHC
Contains SVHC: No**
**Halogen-Free
Status**

China RoHS



**Need more information on product
environmental compliance?**

Email productcompliance@molex.com
For a multiple part number RoHS Certificate of Compliance, [click here](#)

Please visit the [Contact Us](#) section for any non-product compliance questions.

Search Parts in this Series

[35748Series](#)

Mates With

[35747](#)

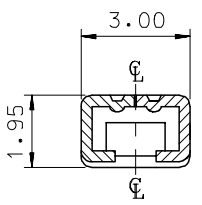
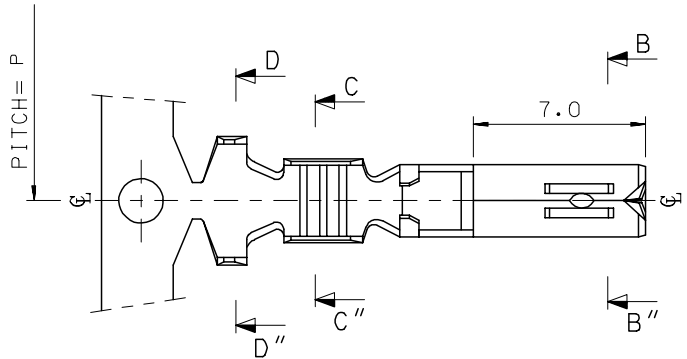
Use With

[35150](#) , [35151](#)

10 9 8 7 6 5 4 3 2 1

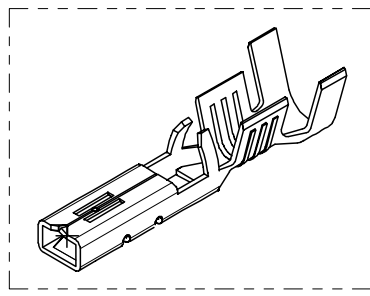
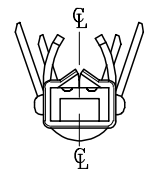
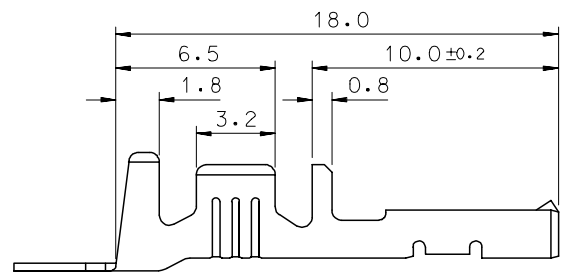
F
E
D
C
B
A

F
E
D
C
B
A

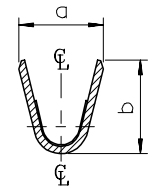
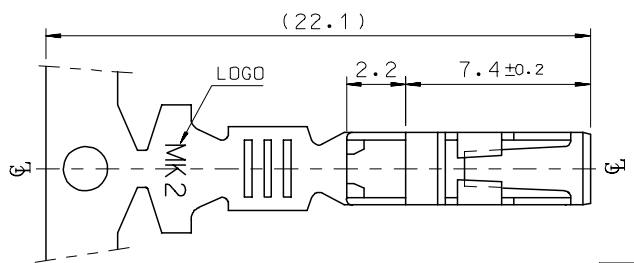


SEC' : B-B''

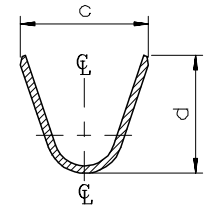
- NOTES
1. MATERIAL : PHOSPHOR BRONZE
0.3mm THICKNESS
 2. FINISH : PRE-PLATED TIN
 3. RECOMMENDED LENGTH OF WIRE STRIP IS 4.0-4.8mm.



ISOMETRIC VIEW



SEC' : C-C''



SEC' : D-D''

MATERIAL NO	ENG. No.	AWG	a	b	c	d	P
357480210	35748-0210	#18-#14	3.4	3.8	5.2	4.8	12.0
357480110	35748-0110	#22-#20	2.85	2.8	4.2	4.0	10.6
357480410	35748-0410	#24	2.2	1.75	3.85	3.5	10.6

REVISED
EC NO: KOR2008-0087
DRWN: JHPARK01 2007/11/15
CHKD: W. YANG 2007/11/15
APPR: YUNSIKKIM 2007/11/15

QUALITY SYMBOLS
▽=0
▽=0

	GENERAL TOLERANCES (UNLESS SPECIFIED)	
	mm	INCH
4 PLACES	± ---	± ---
3 PLACES	± ---	± ---
2 PLACES	± 0.3	± ---
1 PLACE	± 0.3	± ---
ANGULAR ± 1 °		

DIMENSION STYLE		SCALE		DESIGN UNITS		THIRD ANGLE PROJECTION	
MM ONLY	DATE	1:1	METRIC				
DRAWN BY	BK. CHOI	1992/11/17	TITLE	.070 FEMALE TERMINAL (B-TYPE)			
CHECKED BY	BK. CHOI	1992/11/17	APPROVED BY	MOLEX INCORPORATED			
APPROVED BY	CW. LEE	1992/11/17	DATE	SD-35748-001			
MATERIAL NO.	SEE TABLE			DOCUMENT NO.	SHEET NO.		
SIZE	A3			1 OF 01			

DRAFT WHERE APPLICABLE MUST REMAIN WITHIN DIMENSIONS

THIS DRAWING CONTAINS INFORMATION THAT IS PROPRIETARY TO MOLEX INCORPORATED AND SHOULD NOT BE USED WITHOUT WRITTEN PERMISSION

9 8 7 6 5 4 3 2 1